

NG Shifter

This product combines the strength and reliability of the T-Handle Shifter with the latest in manufacturing technologies to produce a high value control system for our customers.

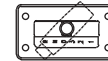
As an added feature, we have incorporated a quick-connect cable mounting system into this control. Utilizing a clamp built into the cable mounting bracket, the assembler needs only a standard 1/4 x 1" bolt and locknut to attach the cable to the control. This allows faster assembly of the cable, while using common mounting hardware available anywhere.

STANDARD FEATURES:

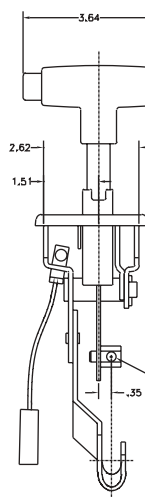
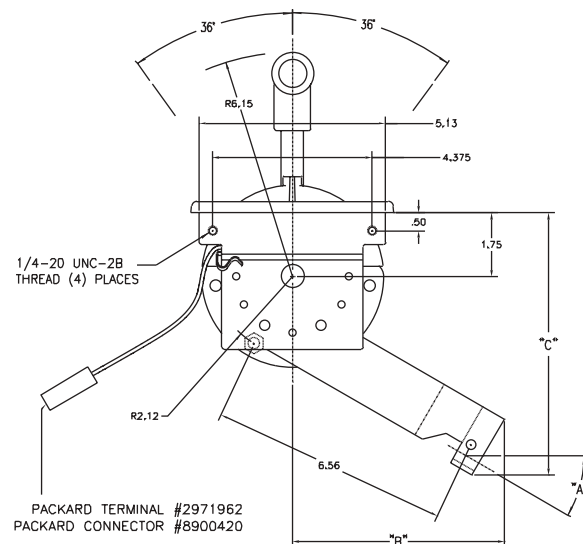
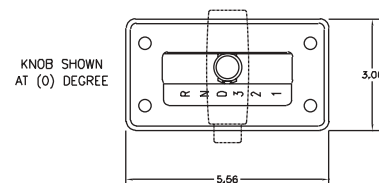
- Steel chassis and handle assembly
- Black E-coat finish on handle and zinc plating on other metal parts for corrosion protection
- Black textured polymer knob and trim covers
- Four 1/4-20 threaded mounting holes
- All detents are positive locking (no ramping between detents)
- Requires 4 series, 3" travel cable with clamp type hub and 1/4-28 rod threads
- Maximum 2 1/2" of actual cable travel produced
- Built-in cable clamp requires a 1/4 x 1" bolt w/locknuts: Felsted Kit #NG0016-1
- Unthreaded pivot for easy cable hook-up

AVAILABLE CONFIGURATIONS:

- Right or left hand mounting
- Push or pull to reverse
- Top mounting plate available
- 14 or 28 VDC illumination, single or dual (ground included) wire leads
- Electrical Switches - contact factory
- Side push button factory preset at 0 or 45 degrees
- Cable bracket angle factory preset at 0, 30, 60, or 90 degrees.
- Currently available for Allison AT545, MT643, MT653DR, MT654CR, HT740, HT750CR, HT750DR, HT754CR
- There are no charts to build a part number with this style control. Consult factory with specifications to receive recommendation and part number.



KNOB SHOWN AT (45) DEGREE



CABLE BRACKET DIMENSIONS		
"A" ANGLE	"B" DIM	"C" DIM
0	7.00	4.01
30	5.83	7.21
60	3.09	8.94
90	2.26	8.75

4 SERIES CABLE MOUNTING
1/4" BOLT (1" LONG) AND LOCKNUT
REQUIRED, TORQUE 45-55 IN-LBS.
USE FELSTED KIT NG0016-1

New - Available: Allison Transmission 1000/2000 Series™: Consult Factory.